

## ZSB090262 (ORDER NO. 090262)

ZSB, housing G3, 3-stage, +/- pushbuttons, key-operated switch, cable with plug connector RC17

- ▶ 3-stage function
- ▶ Housing G3
- ▶ Straight connecting cable, 12 m
- ▶ Plug connector
- ▶ Two illuminated buttons
- ▶ Key-operated rotary switch
- ▶ Including holder



### Description

### Switching element

210 2 NO + 1 NC (→)

### Cable

The high-quality connecting cables (individual screening of the safety contacts) are available in a straight version.

### Illuminated + and - buttons

These buttons can be configured individually. For example, for moving axes in positive or negative direction.

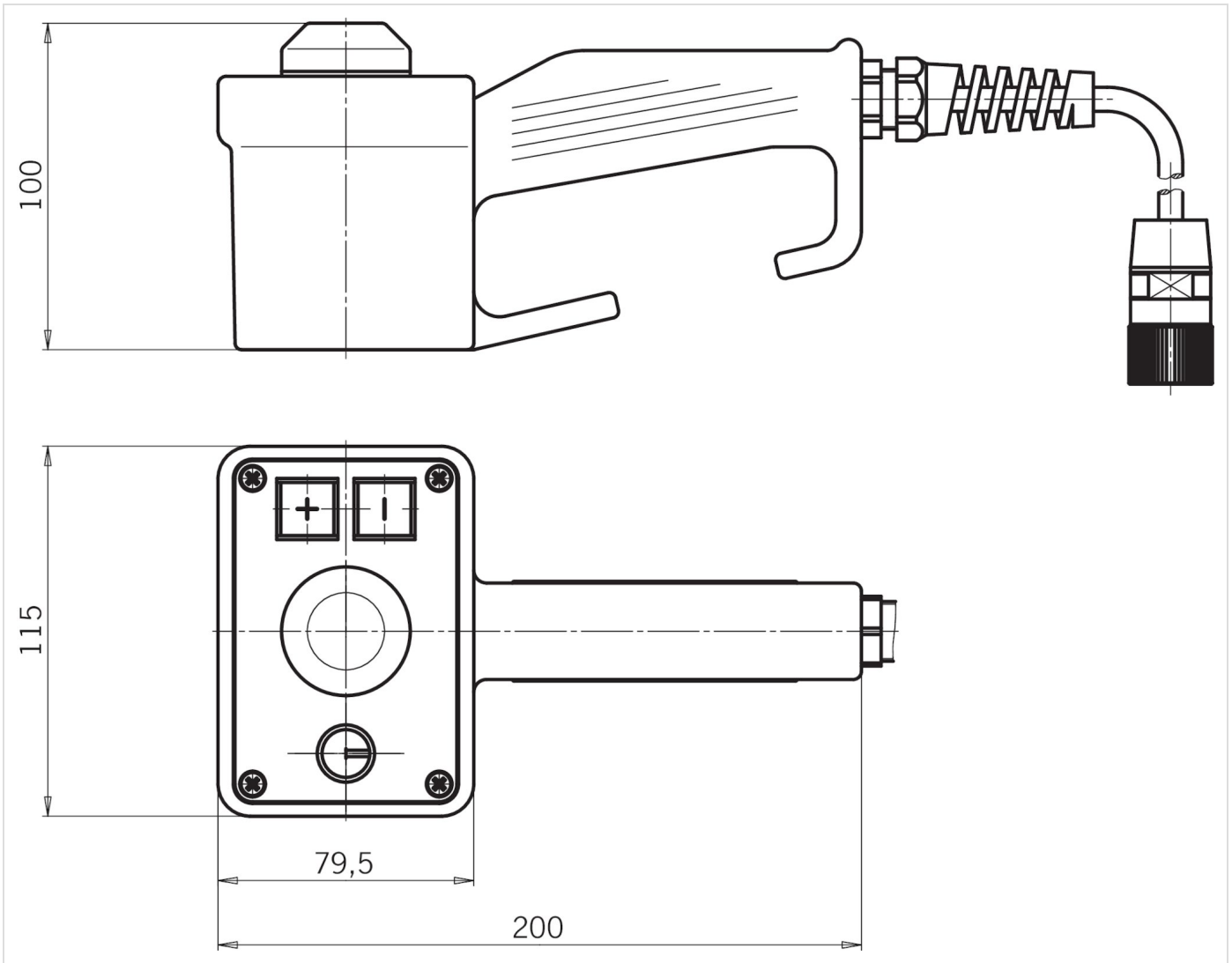
### Key-operated rotary switch

For individual use, e.g. as operating mode selector switch.

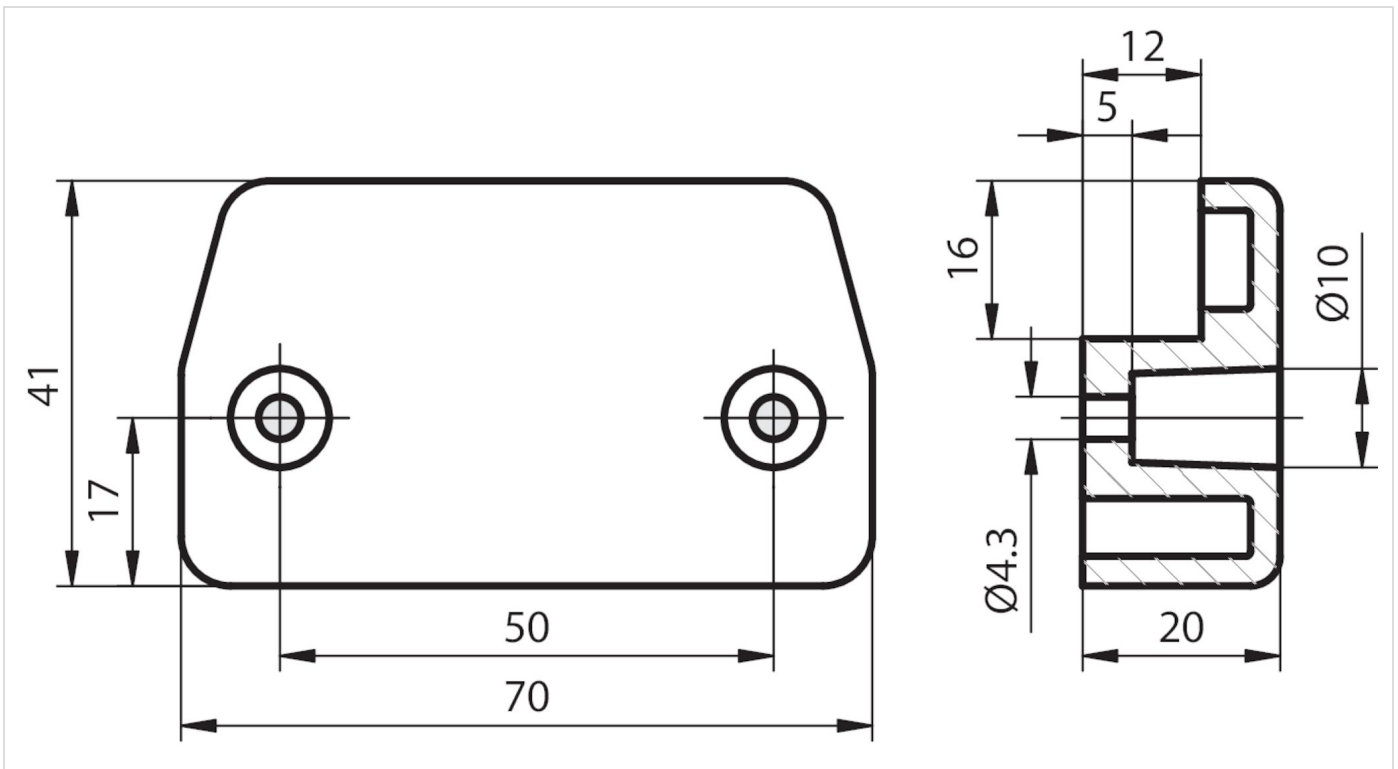
### 3-stage function

Enabling function is active only in the second stage (middle position, actuating point). If the pushbutton is released or pushed further (panic function), the enabling is removed (dependent on the wiring, see function sequence).

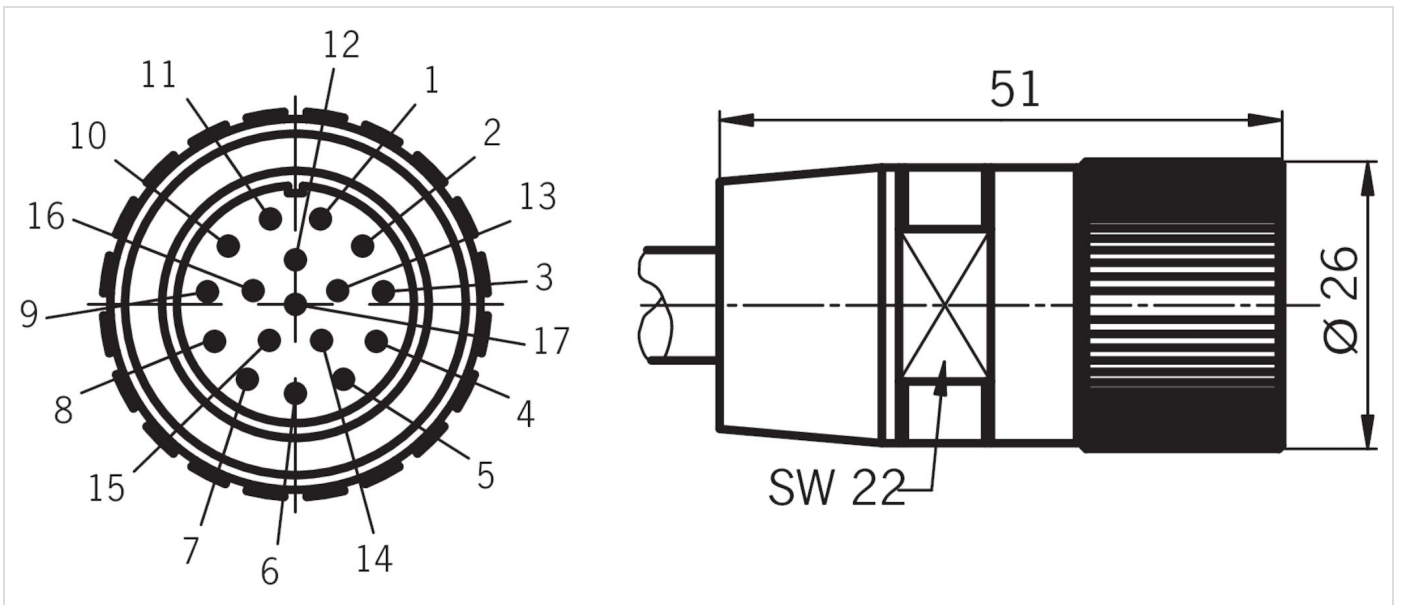
### Dimension drawing



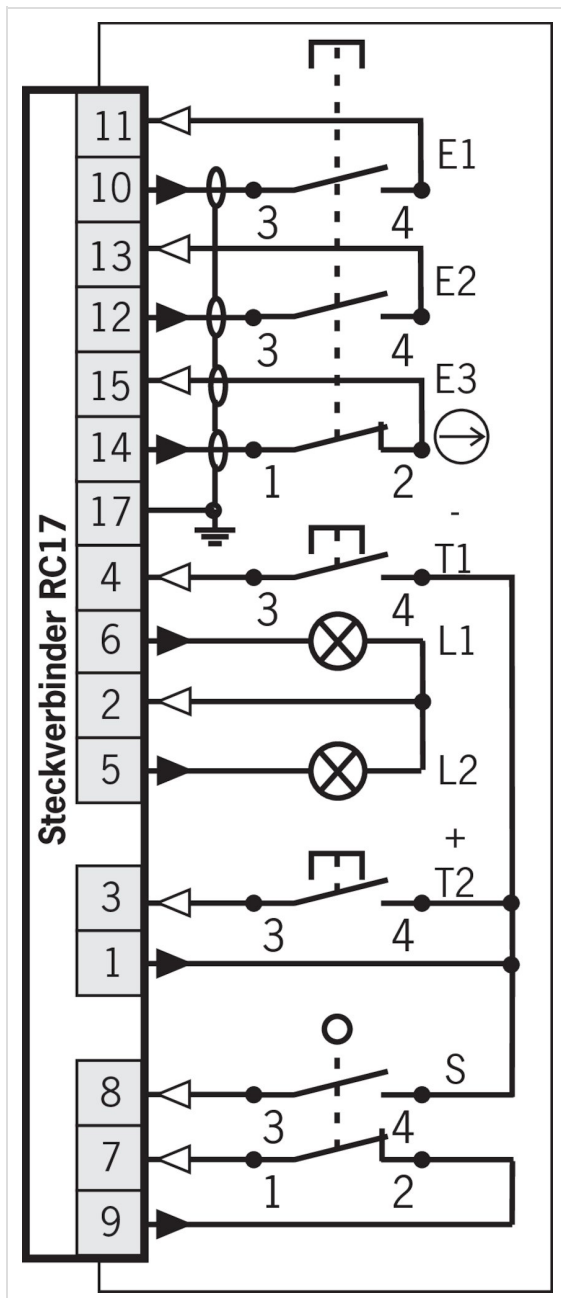
Dimension drawing



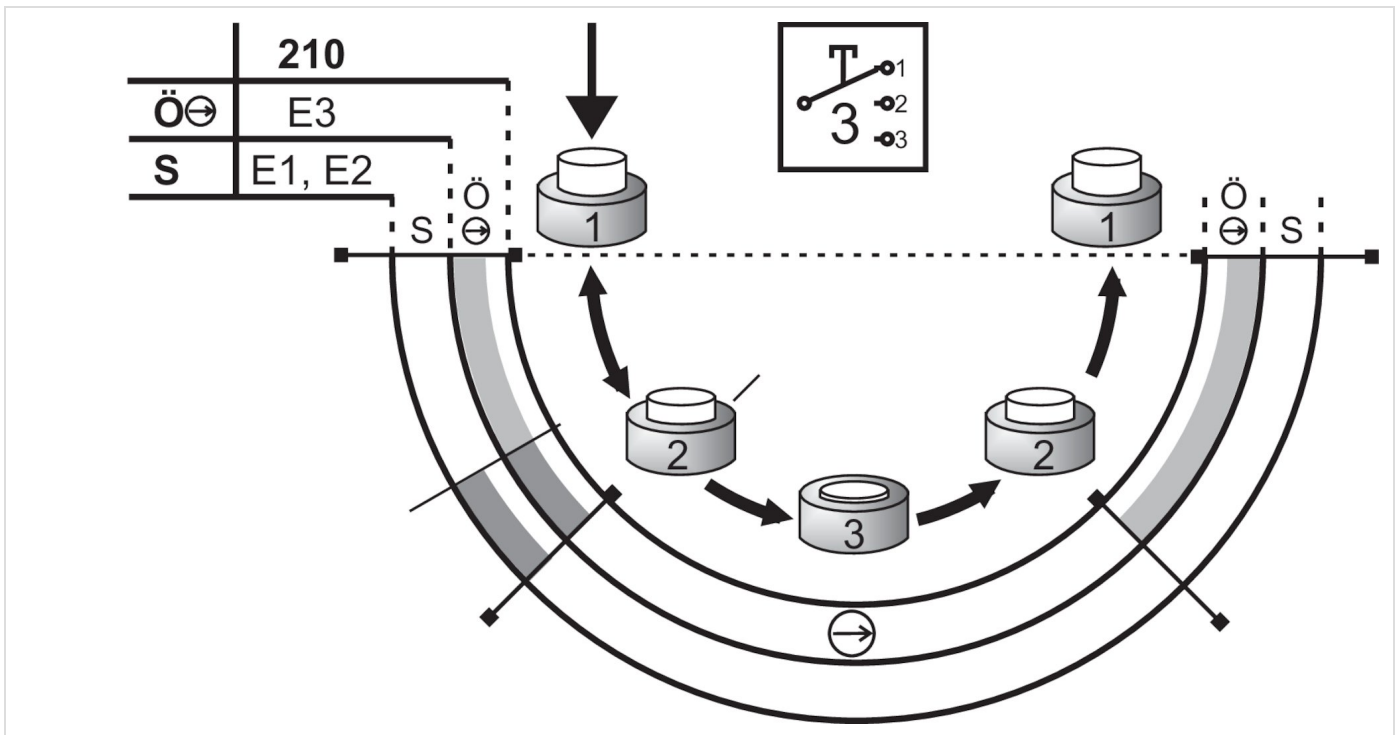
Dimension drawing



210 with key operated switch



Travel diagram



- open
- closed
- closed, enabling

## Technical data

### Approvals



## Mechanical values and environment

### Material

Housing Plastic yellow

Cap Elastomer PAK arm, black

### Weight

Net 3 kg

Ambient temperature

-5 ... +50 °C

Degree of protection

IP65

### Mechanical life

Position 1-2-1 0,1 x 10<sup>6</sup>

Position 1-2-3-1 0,1 x 10<sup>6</sup>

Switching principle

Slow-action contact element

Number of positively driven contacts

1

Number of NO contacts

2

Connection

Plug connector number of pins 17

Cable length

straight 12 m

## Electrical connection ratings

Rated conditional short-circuit current	100 A
Utilization category acc. to EN 60947-5-1	
	AC-15 2A 24V
	400mA 24V
	DC-13 2A 24V
	100mA 24V
Short circuit protection according to IEC 60269-1	
	at 24V 2A gG (In case of operating voltages other than DC 24V, the short circuit protection must be dimensioned accordingly and checked.)
Additional elements at 24V	0.1A gG (In case of operating voltages other than DC 24V, the short circuit protection must be dimensioned accordingly and checked.)
Rated insulation voltage $U_i$	250 V
Rated impulse withstand voltage $U_{imp}$	0,8 kV
Switching voltage	
	Min. at 10mA min.12 V
Switching current	
	Min. at 24 V min.1 mA
Degree of contamination (external, according to EN 60947-1)	
	Industry 3
Connecting cable	8x0.5mm <sup>2</sup> + 8x0.14mm <sup>2</sup> (4x0.5mm <sup>2</sup> screened + 4x0.5mm <sup>2</sup> unscreened + 8x0.14mm <sup>2</sup> unscreened. Outer screen over everything.)


## Controls and indicators


	Control/indicator
Version	Key-operated switch
Slide-in label	
Special features	
Color	
Switching element	1NO, 1NC
	Control/indicator
Version	Illuminated - pushbutton
Slide-in label	
Special features	
Color	
Switching element	
	Control/indicator
Version	Illuminated+ pushbutton
Slide-in label	
Special features	
Color	
Switching element	


## Reliability values according to EN ISO 13849-1


	Enabling switch
B10 <sub>D</sub>	0,5 x 10 <sup>6</sup>

## Contacts

 EUCHNER GmbH + Co. KG  
Kohlhammerstraße 16  
70771 Leinfelden-Echterdingen

 +49 711 7597-0

 +49 711 753316

 [info\(at\)euchner.de](mailto:info(at)euchner.de)